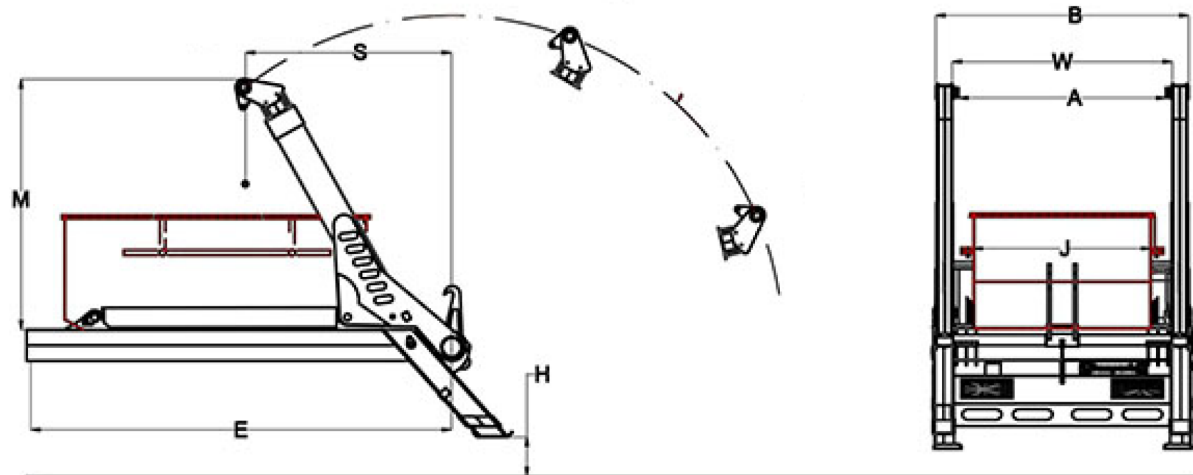


Keep it up for success

14 Ton SKIP LOADER | | Model: Truck mounted - Code: GVC-14



GWV	26-32 Ton
Truck Model	6x4 - 8x4
E mm	4570
H mm	360
M mm	2135
S mm	1980
A mm	1950
J mm	1050-1800
B mm	2450
W mm	2080

VARIATIONS	GVC-14T	
<i>Lifting Capacity From Ground</i>		
R min	3000 mm - 14000 kg	
R max		
<i>Lifting Capacity From Ground - 800 mm</i>		
R min	2500 mm - 14000kg	
R max		
Weight Kg.	3500	
Operating Pressure	300 Bar	
Hydraulic Pump	45 Lt, 1200 rpm Enigne Speed, Pto transmission i:1.0	

